

## TECHNICAL INFORMATION :

Jaldoot Materials handling Pvt. Ltd. Has been manufacturing rugged and reliable hand pallet trucks for more than 20 years complying with all market requests. Plamo series of pallet trucks are an indispensable aid to goods movement. They can be used by anyone, with utmost ease.

## TILLER :

Conveniently shaped, protection operator's hand by a strong smooth pipe. The control lever for lifting, Lowering and travel movements falls conveniently to hand, making these trucks easy, safe and comfortable to use. The handle returns automatically to vertical position when released. A unique load sensing decent control valve adjusts lowering speed with the load thus permitting jerk free lowering on higher loads.

## FRAME :

Robust steel of 5 mm thickness, rounded fork tips protect pallets from being driven into. The entry rollers before and after the load wheels permit easy entry into pallets across bottom deck boards.

## HYDRAULIC LIFTING SYSTEM :

Rugged lifting assembly with forged valve block capable of the most demanding use with long life polyurethane seals. The pump cylinder is provided with a heavy duty protective housing, while the lift jack shaft and pump plunger are hard chrome plated. Controlled lowering ensures operating safety and durability.

## WHEELS :

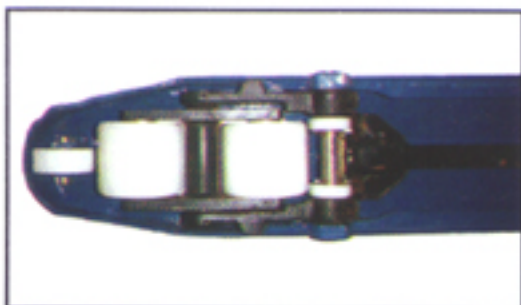
Easy going wheels with sealed bearings. Front wheels of cast iron and load wheels of steel ensures long life on normal factory flooring. Forks housing load wheels are of forged steel.

## MAINTENANCE :

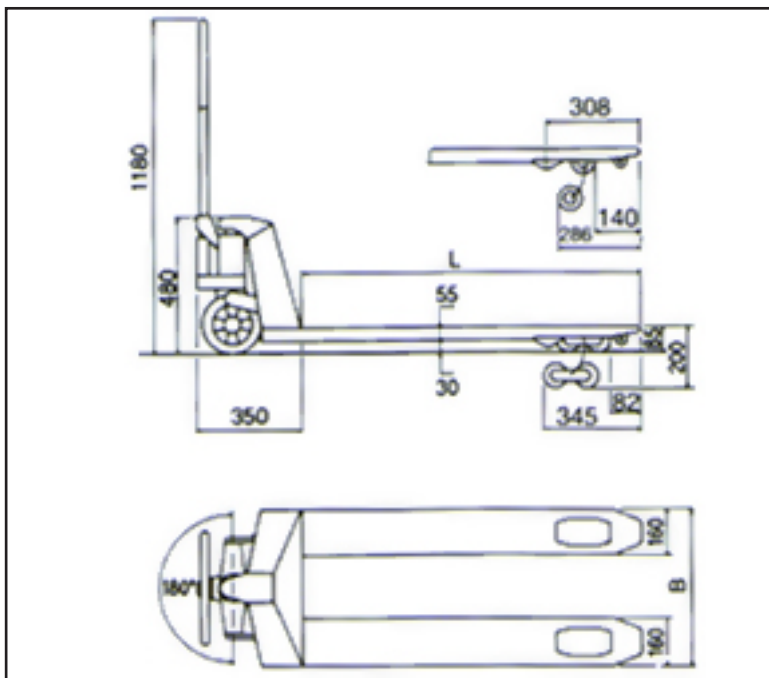
The hydraulic system and wheel bearing are completely maintenance free. Self lubricating bushing provided on every joints.



Single load wheels for easy manoeuvring in closest quarters



Tandem load wheels for smooth running on uneven surfaces.



Model : PALMO 3015 3020 3025

Capacity (in kgs) 1500 2000 2500  
Uniformly distributed

FORK LENGTH	A MM	915 or 1220
FORK WIDTH	B MM	520 or 685
STEERING WHEEL Nylon or Cast Iron	MM	∅ 200 x 50
LOAD WHEEL Nylon or Cast Steel	MM	∅ 83 x 95 or ∅ 140 x 95
LOWERED HEIGHT	C MM	85 or 140

## Note :

- 1) Tandem Load wheels provided in model Palmo 3025 as standard fitting.
- 2) Optional :
  - a) Polymer or PU steering wheels.
  - b) Polymer or PU load wheels.
  - c) Any fork dimensions on request.

## PLAMO 1030 RT

## REEL TRANSPORTER

